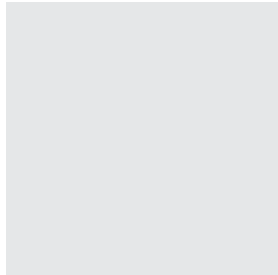
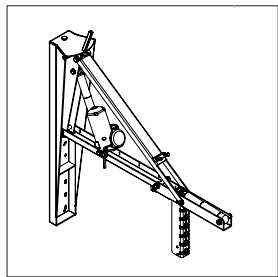
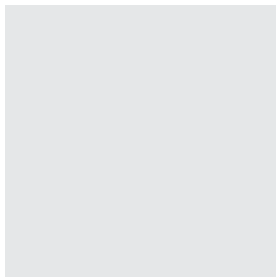
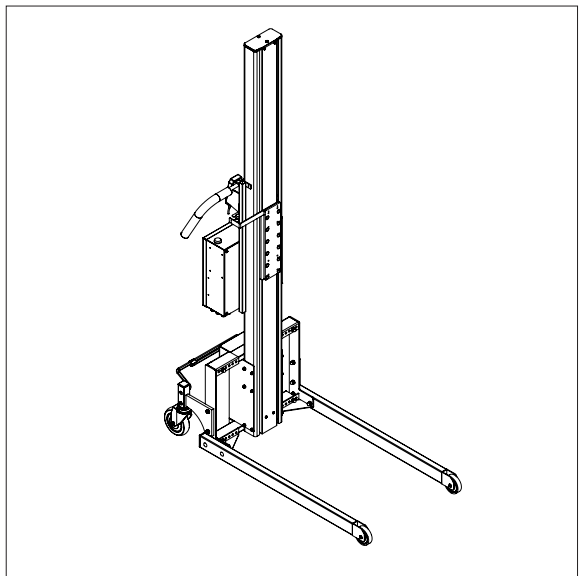
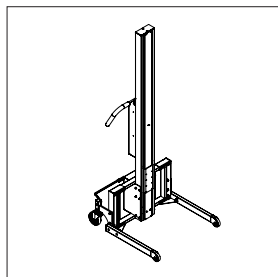
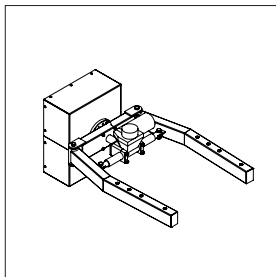
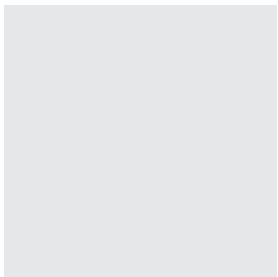
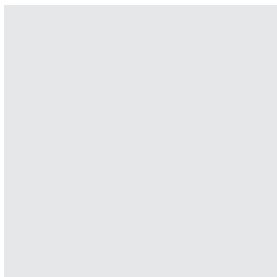


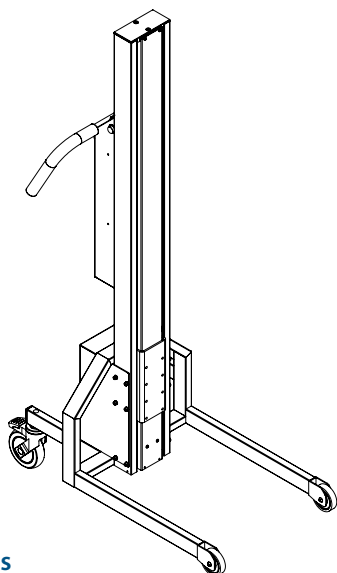
# WP 200 LIFT TROLLEYS & TOOLS

- DRAWINGS & MEASUREMENTS

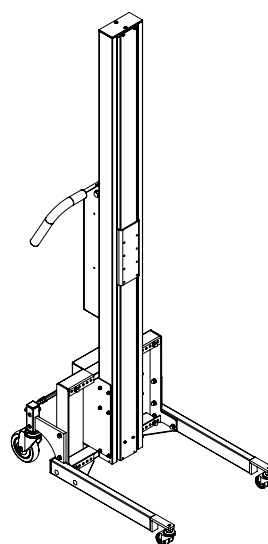


# WP 200

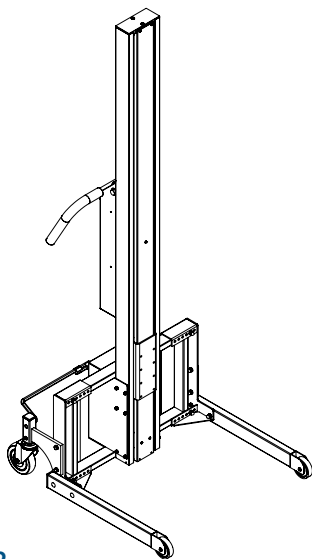
## 3 MAST HEIGHTS AND 13 LEG/WHEEL OPTIONS



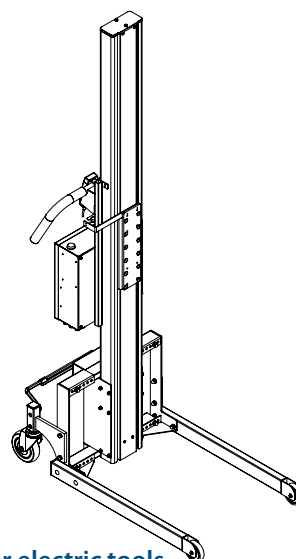
**Standard legs**  
WP 200S/WP200/WP 200EM



**Flexleg type 1**  
WP 200S/WP200/WP 200EM



**Flexleg type 2**  
WP 200S/WP200/WP 200EM



**Control box for electric tools**  
(flexleg) WP 200S/WP200/WP 200EM

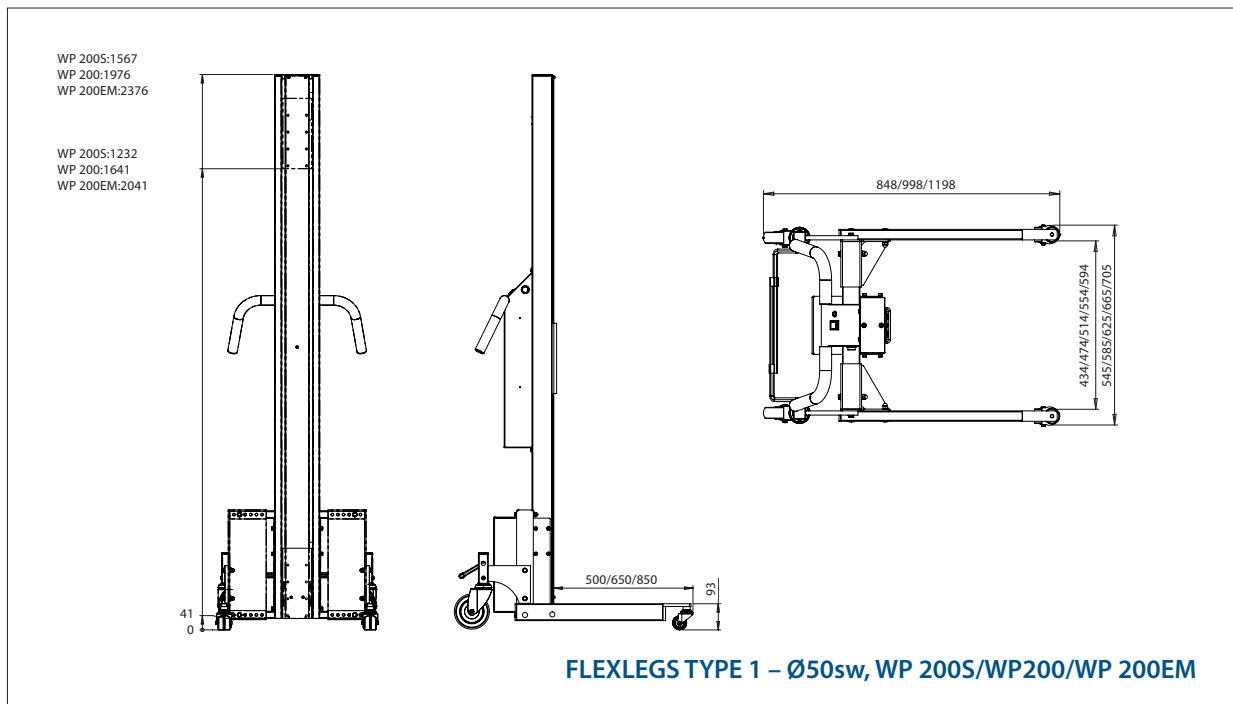
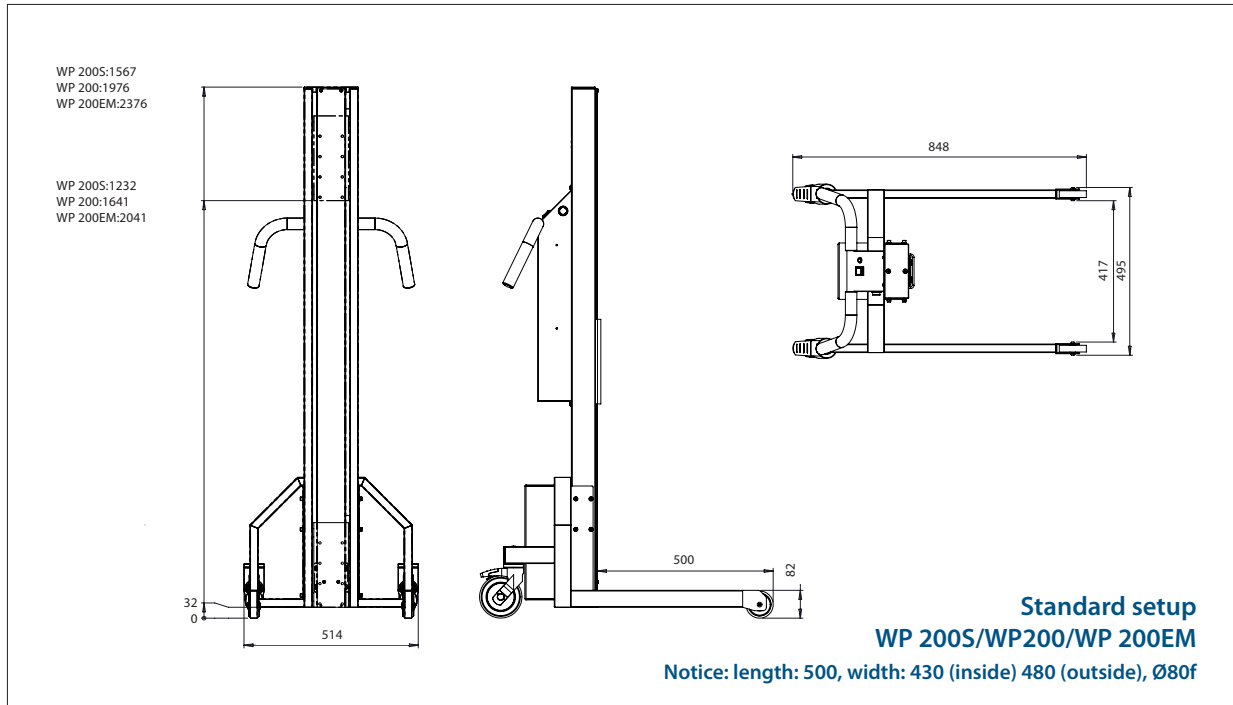
### EdmoLift AB

Jägaregatan 11, SE-871 42 Härnösand, Sweden, Tel +46 (0)611-837 80  
Fax +46 (0)611-51 15 80, E-mail: b2b@edmolift.se

# WP 200

## LIFTERS - DRAWINGS & MEASUREMENTS

- All measurements in mm



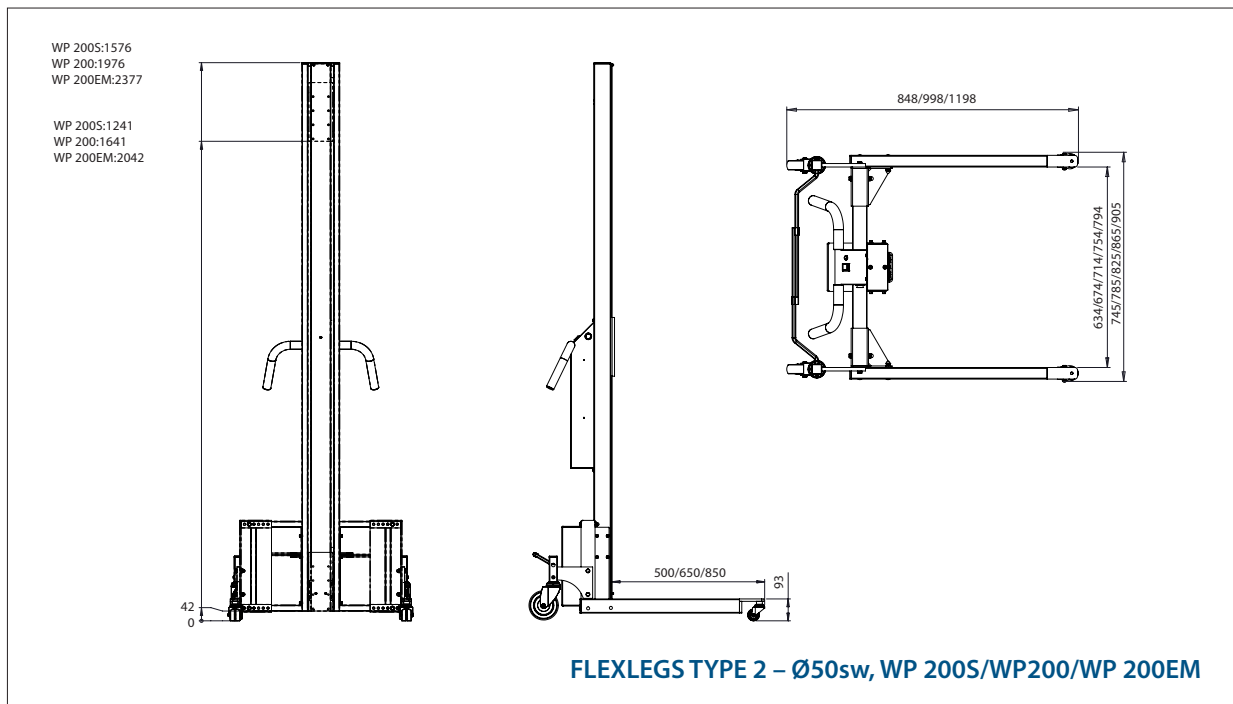
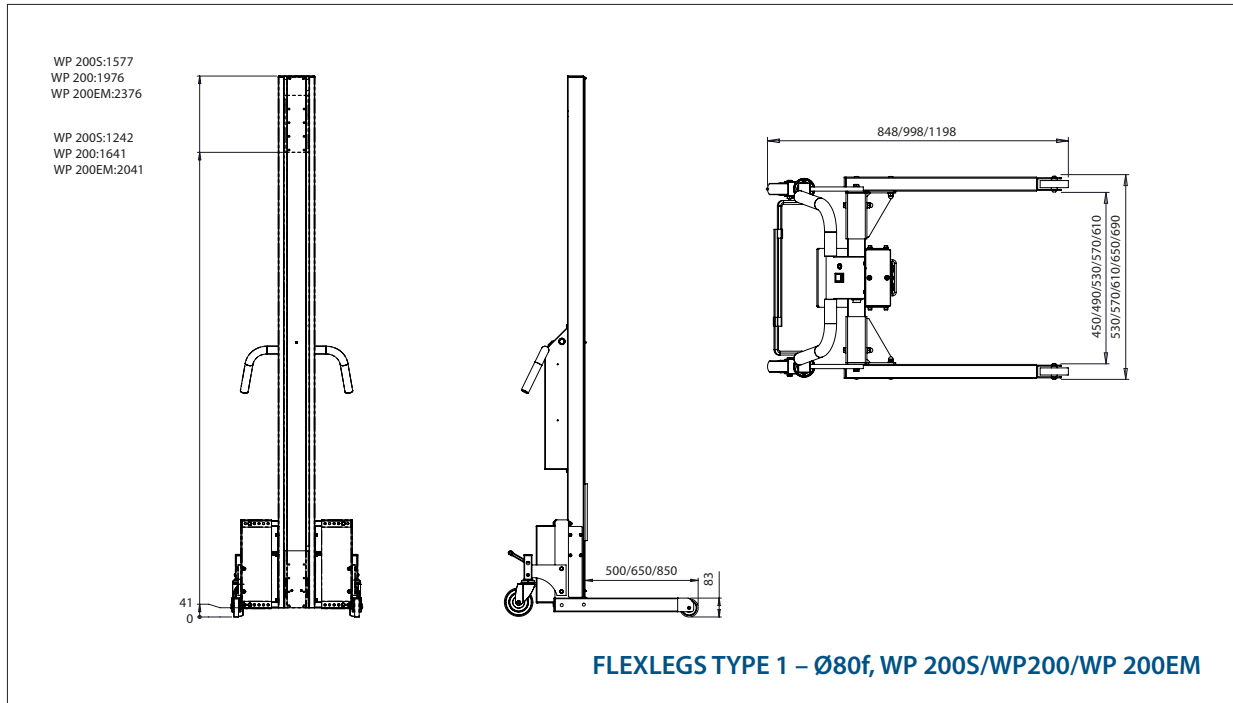
### EdmoLift AB

Jägaregatan 11, SE-871 42 Härnösand, Sweden, Tel +46 (0)611-837 80  
Fax +46 (0)611-51 15 80, E-mail: b2b@edmolift.se

# WP 200

## LIFTERS - DRAWINGS & MEASUREMENTS

- All measurements in mm



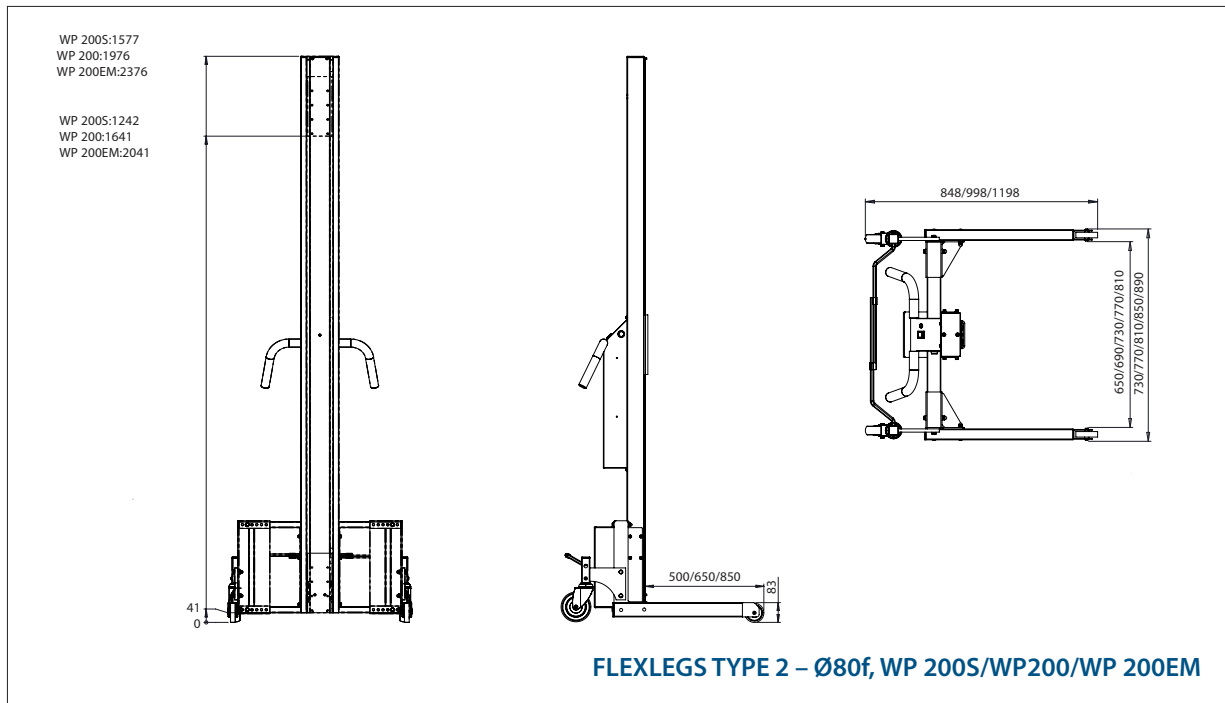
### EdmoLift AB

Jägaregatan 11, SE-871 42 Härnösand, Sweden, Tel +46 (0)611-837 80  
Fax +46 (0)611-51 15 80, E-mail: b2b@edmolift.se

# WP 200

## LIFTERS - DRAWINGS & MEASUREMENTS

- All measurements in mm



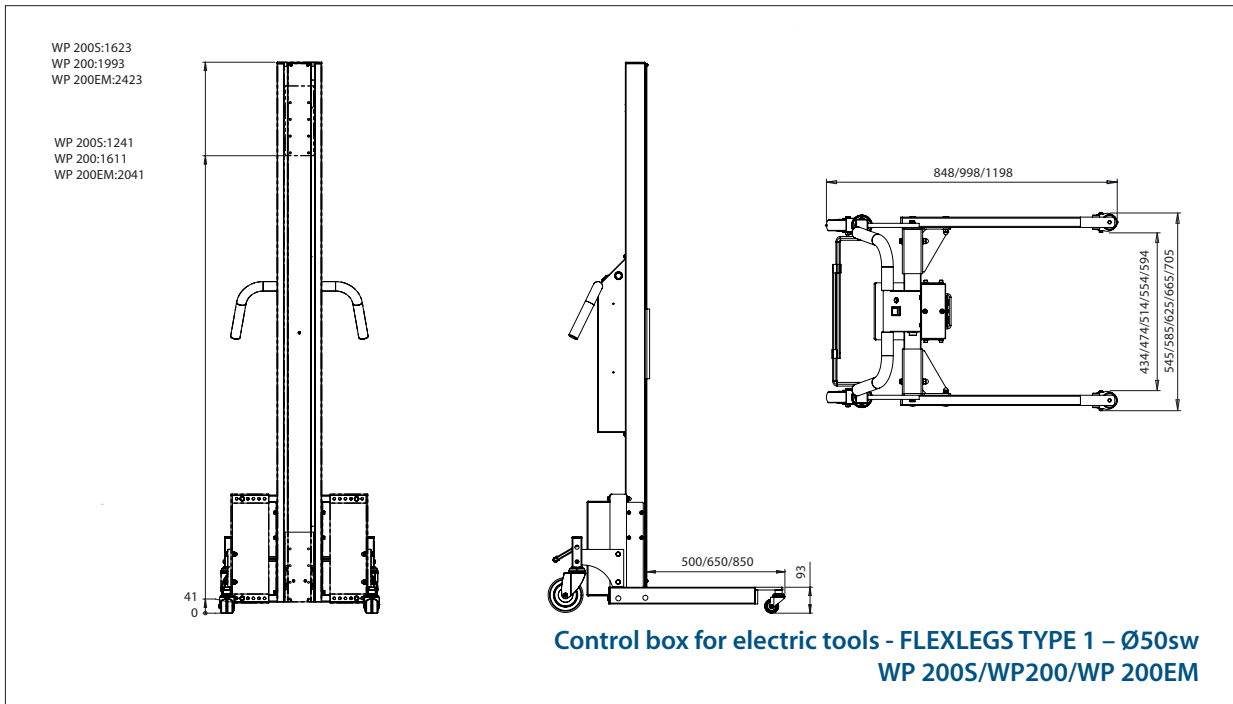
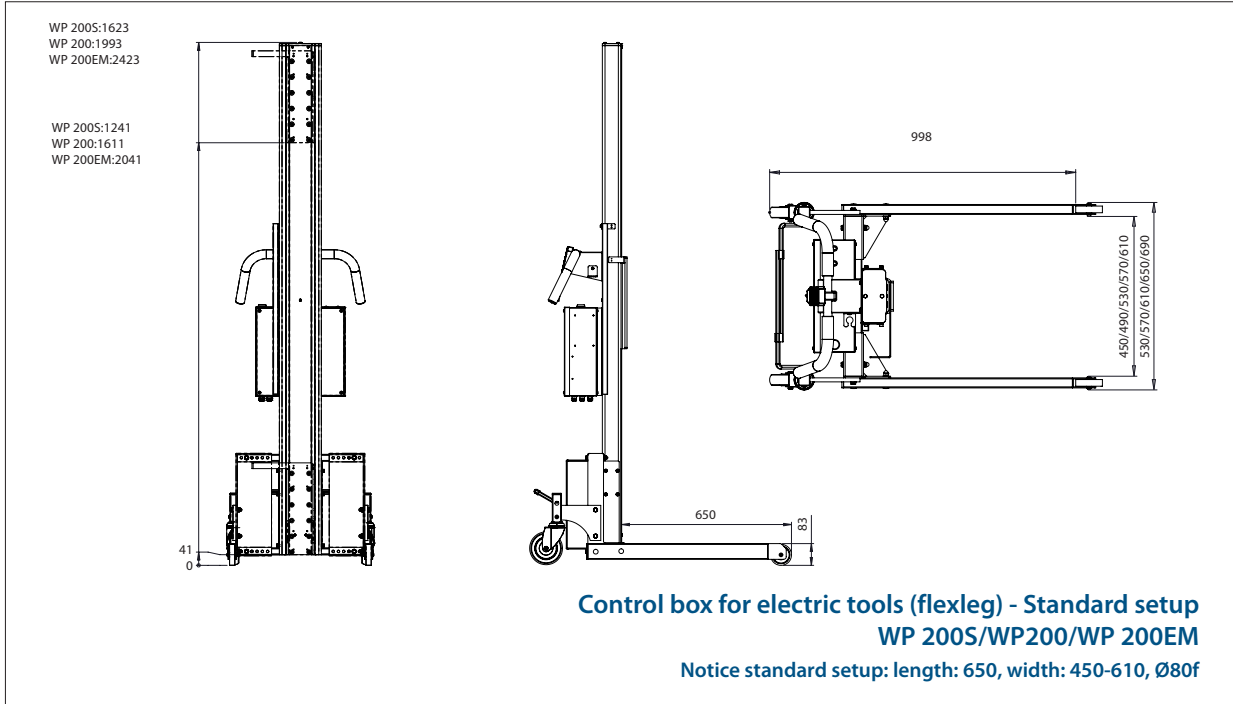
### EdmoLift AB

Jägaregatan 11, SE-871 42 Härnösand, Sweden, Tel +46 (0)611-837 80  
Fax +46 (0)611-51 15 80, E-mail: b2b@edmolift.se

# WP 200 FOR ELECTRIC TOOLS

## LIFTERS - DRAWINGS & MEASUREMENTS

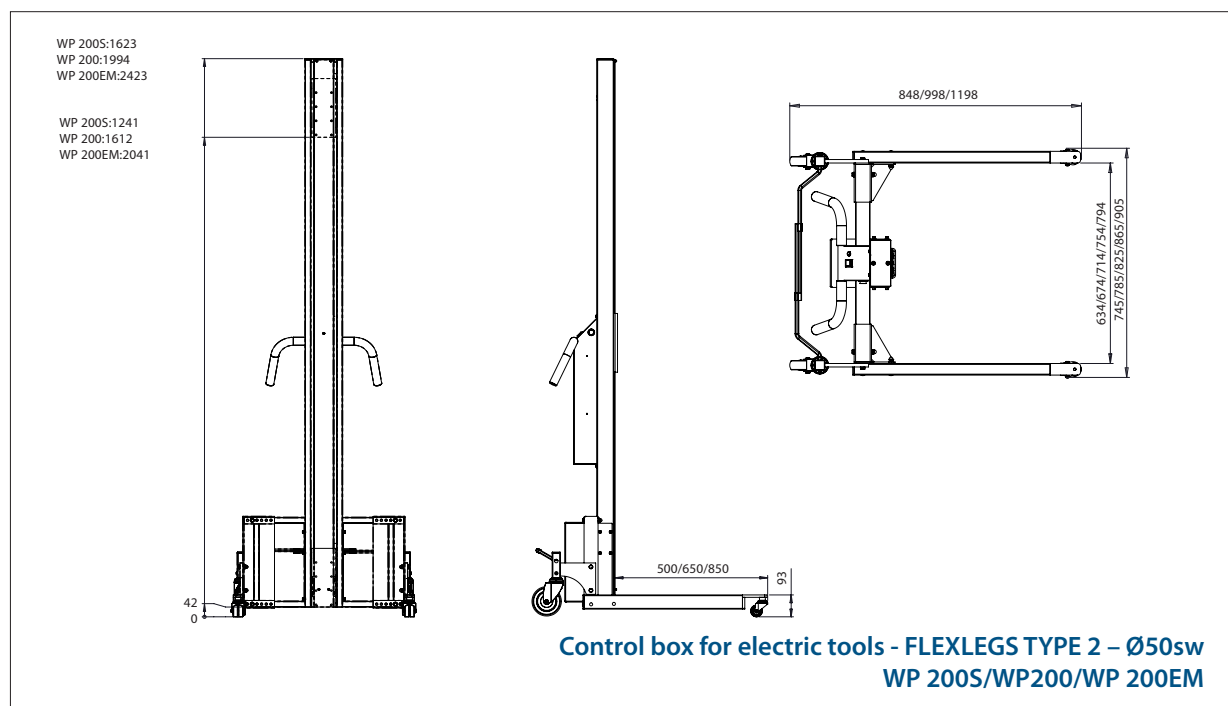
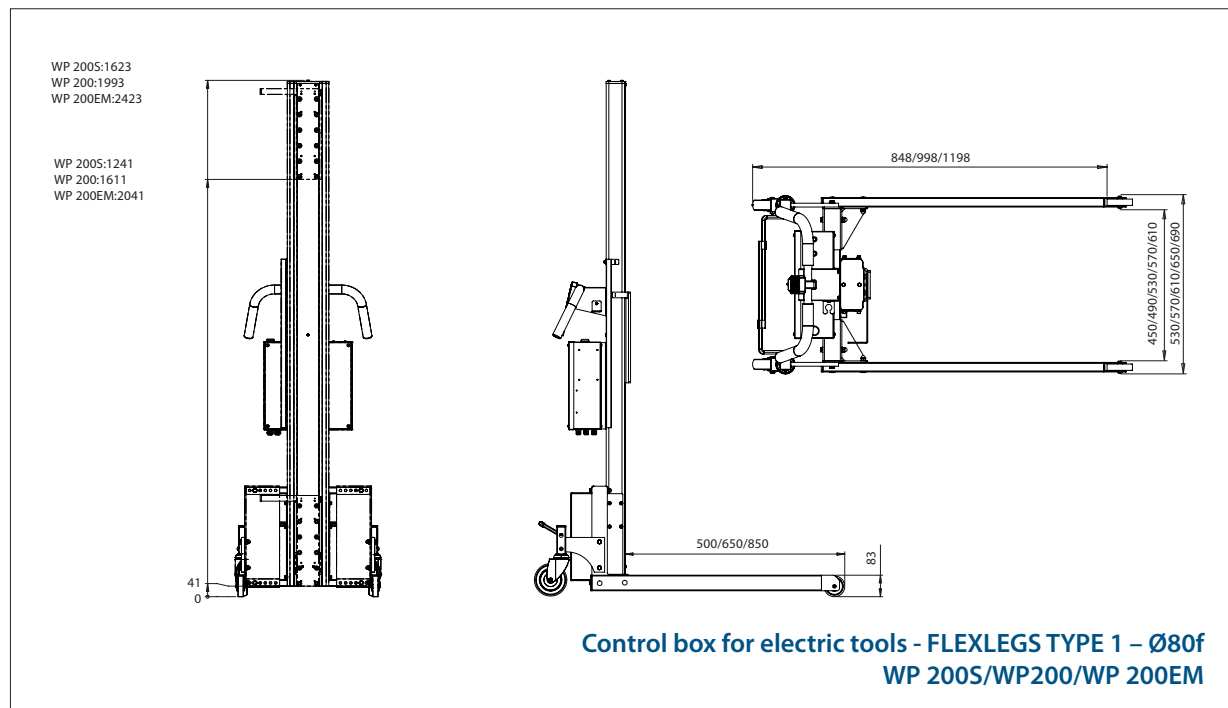
- All measurements in mm



# WP 200 FOR ELECTRIC TOOLS

## LIFTERS - DRAWINGS & MEASUREMENTS

- All measurements in mm



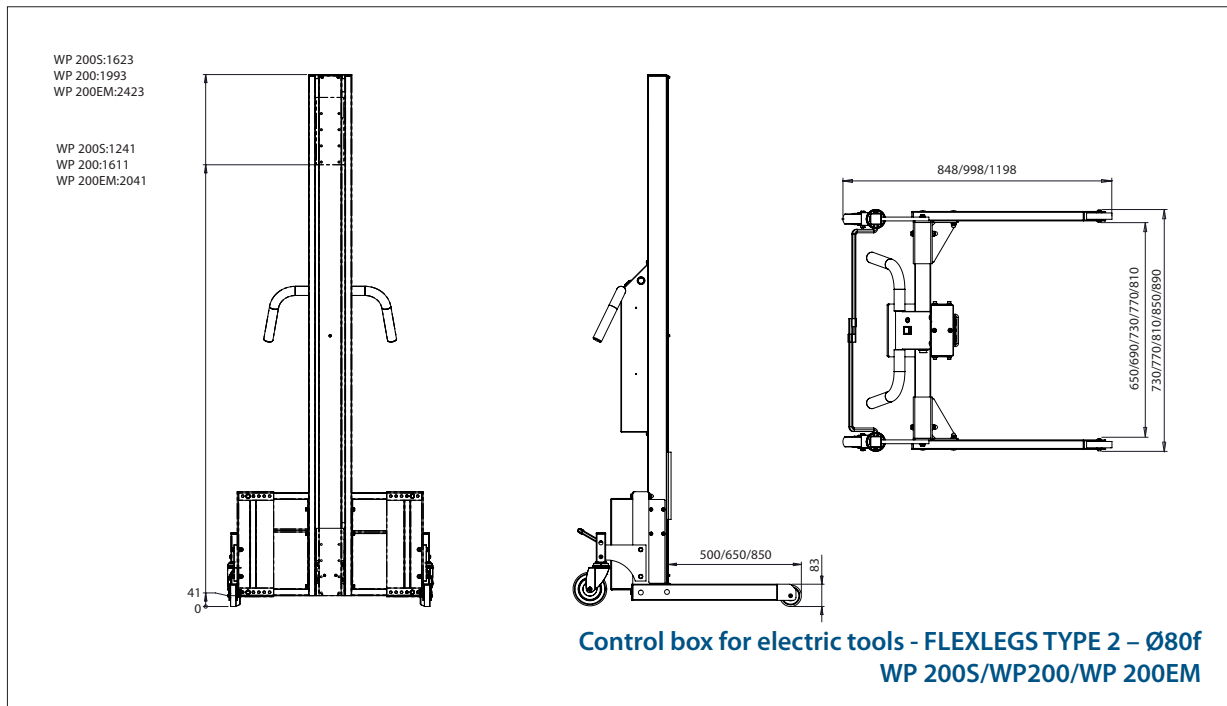
### EdmoLift AB

Jägaregatan 11, SE-871 42 Härnösand, Sweden, Tel +46 (0)611-837 80  
Fax +46 (0)611-51 15 80, E-mail: b2b@edmolift.se

# WP 200 FOR ELECTRIC TOOLS

## LIFTERS - DRAWINGS & MEASUREMENTS

- All measurements in mm



### EdmoLift AB

Jägaregatan 11, SE-871 42 Härnösand, Sweden, Tel +46 (0)611-837 80  
Fax +46 (0)611-51 15 80, E-mail: b2b@edmolift.se



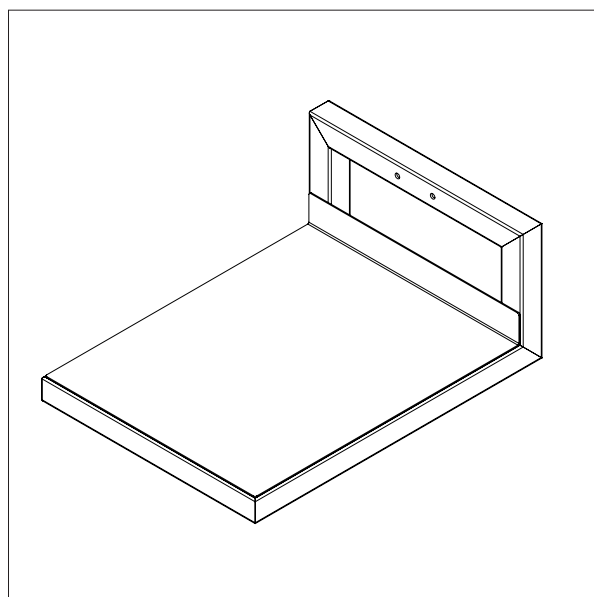
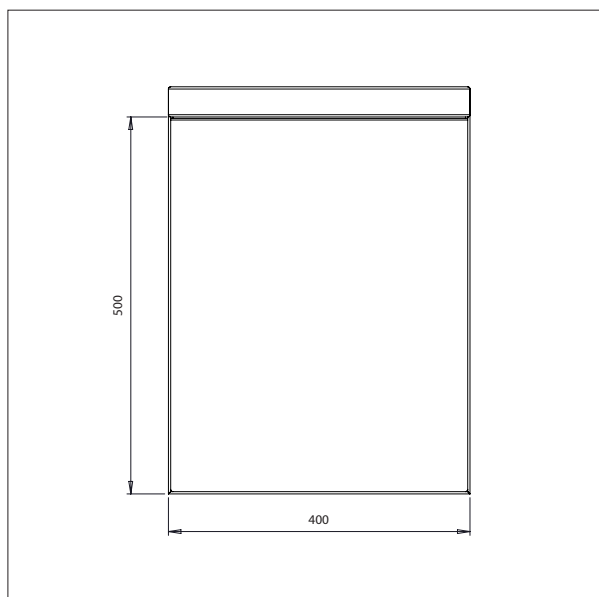
# WP 200 / TOOLS

## STAINLESS STEEL PLATFORM

- All measurements in mm

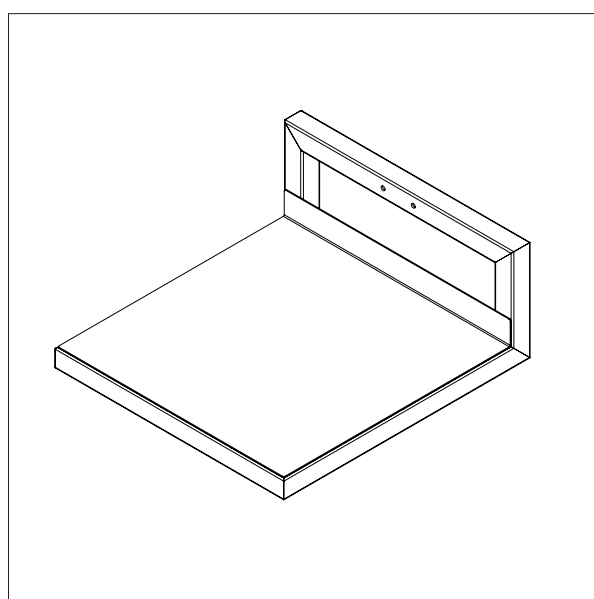
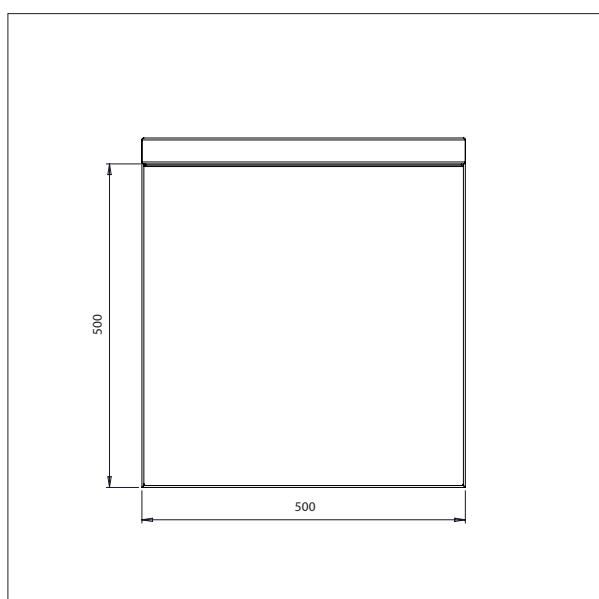
### STAINLESS STEEL PLATFORM – 87613

L x W: 500 x 400 mm



### STAINLESS STEEL PLATFORM – 87620

L x W: 500 x 500 mm



#### EdmoLift AB

Jägaregatan 11, SE-871 42 Härnösand, Sweden, Tel +46 (0)611-837 80  
Fax +46 (0)611-51 15 80, E-mail: b2b@edmolift.se

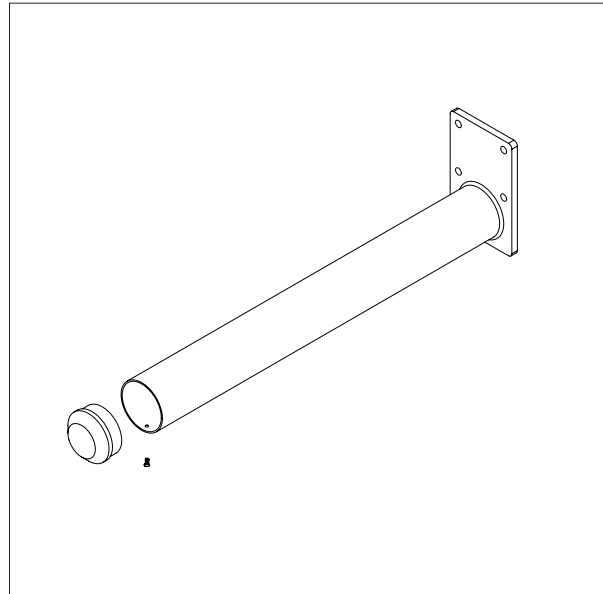
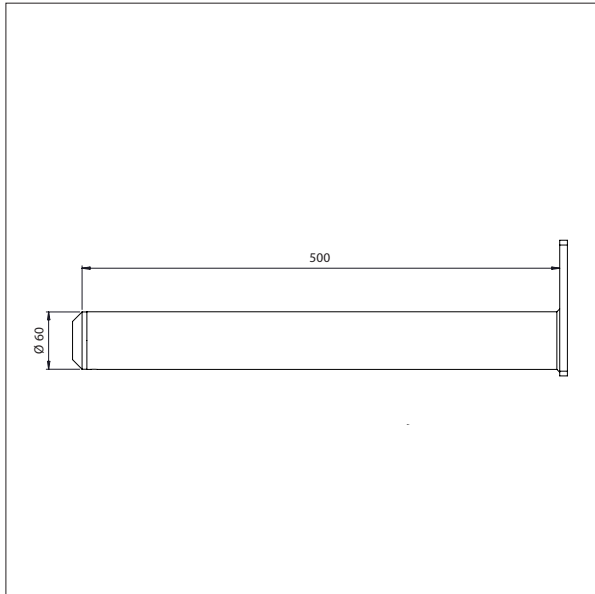
# WP 200 / TOOLS

## REEL MANDREL

- All measurements in mm

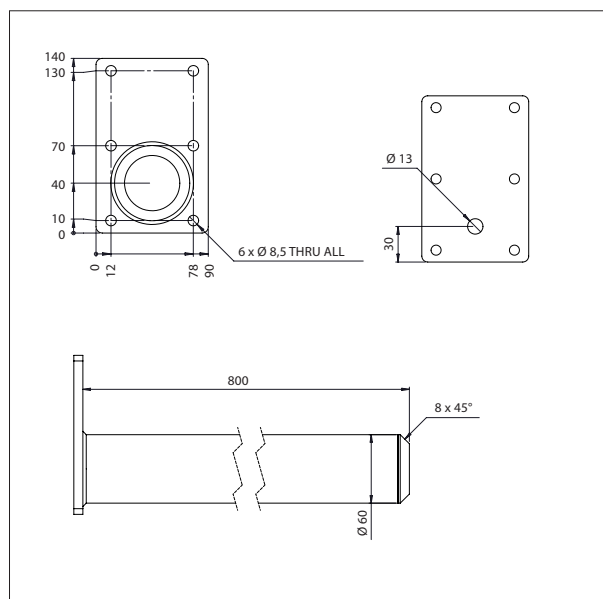
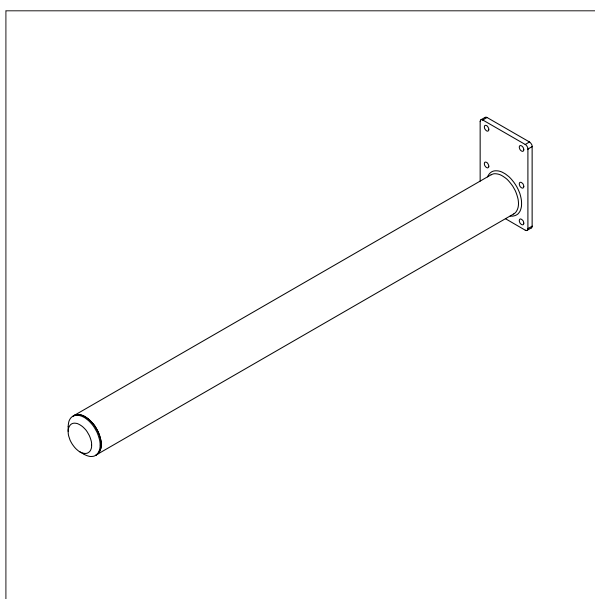
### REEL MANDREL – 87616

Ø x L: 60 x 500 mm



### REEL MANDREL – 87621

Ø x L: 60 x 800 mm



#### EdmoLift AB

Jägaregatan 11, SE-871 42 Härnösand, Sweden, Tel +46 (0)611-837 80  
Fax +46 (0)611-51 15 80, E-mail: b2b@edmolift.se

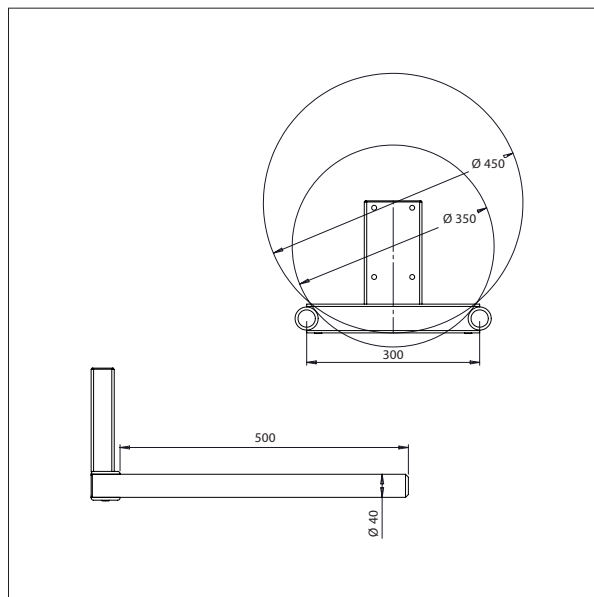
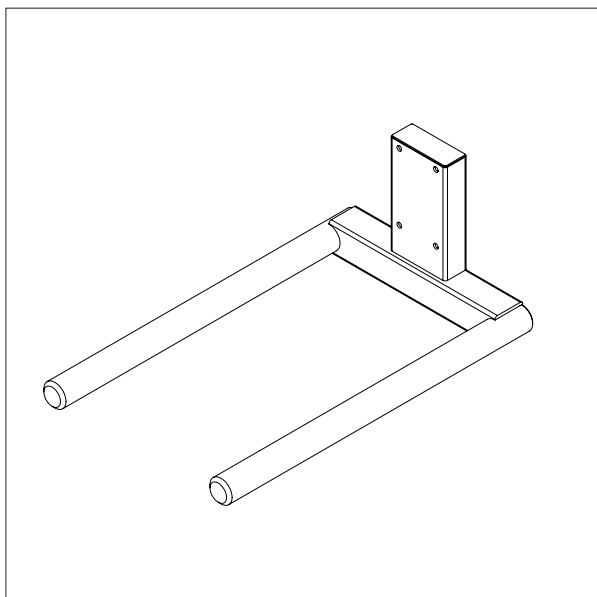
# WP 200 / TOOLS

## TWIN MANDREL

- All measurements in mm

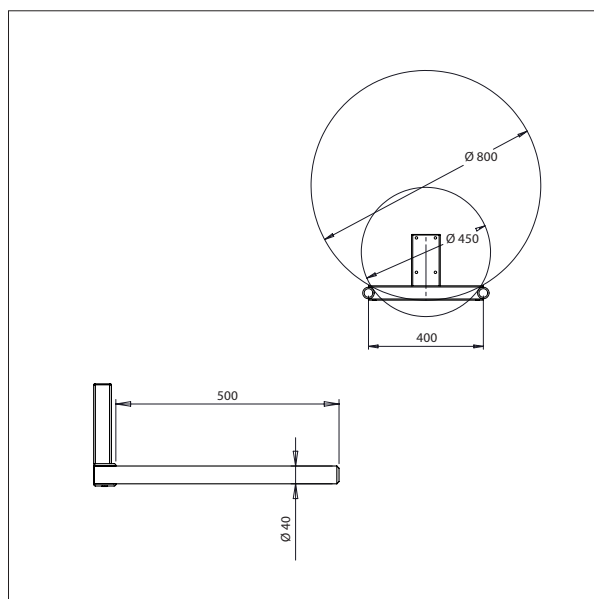
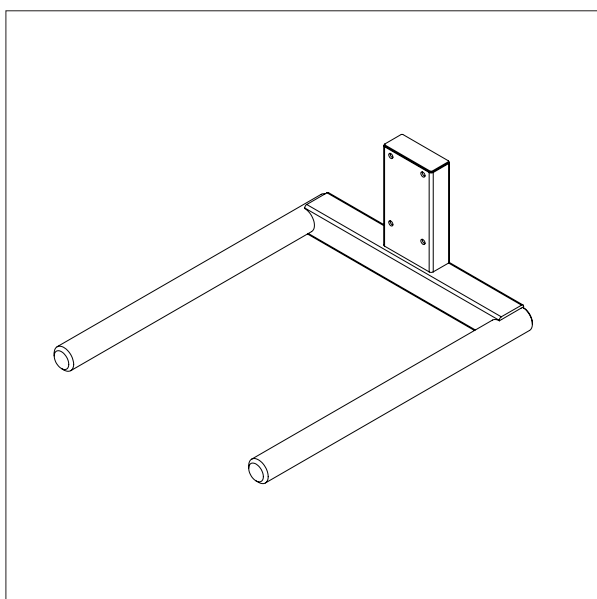
### TWIN MANDREL – 87617

Ø x L x W: 40 x 500 x 300 mm



### TWIN MANDREL – 87622

Ø x L x W: 40 x 500 x 400 mm



#### EdmoLift AB

Jägaregatan 11, SE-871 42 Härnösand, Sweden, Tel +46 (0)611-837 80  
Fax +46 (0)611-51 15 80, E-mail: b2b@edmolift.se

# WP 200 / TOOLS

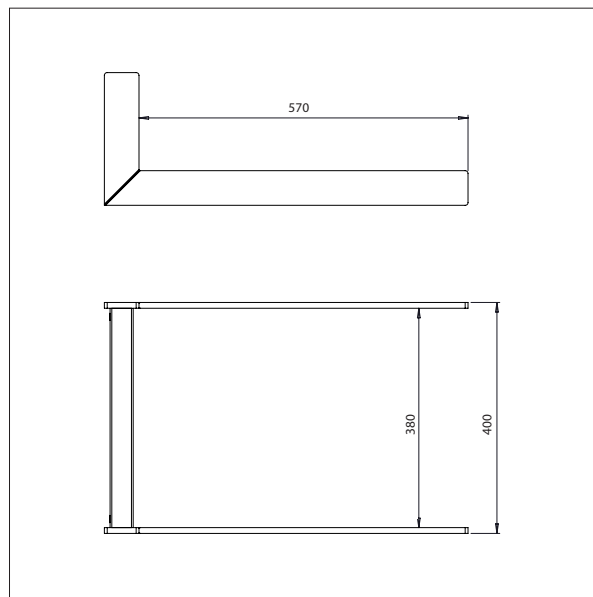
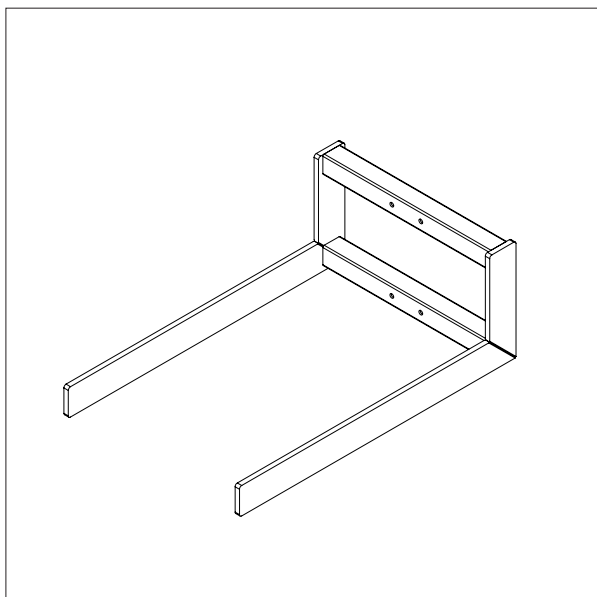
## LIFTING FORK

- All measurements in mm

### LIFTING FORK - 87614

L x W: 570 x 400 mm

For 600 x 400 mm boxes



### EdmoLift AB

Jägaregatan 11, SE-871 42 Härnösand, Sweden, Tel +46 (0)611-837 80  
Fax +46 (0)611-51 15 80, E-mail: b2b@edmolift.se

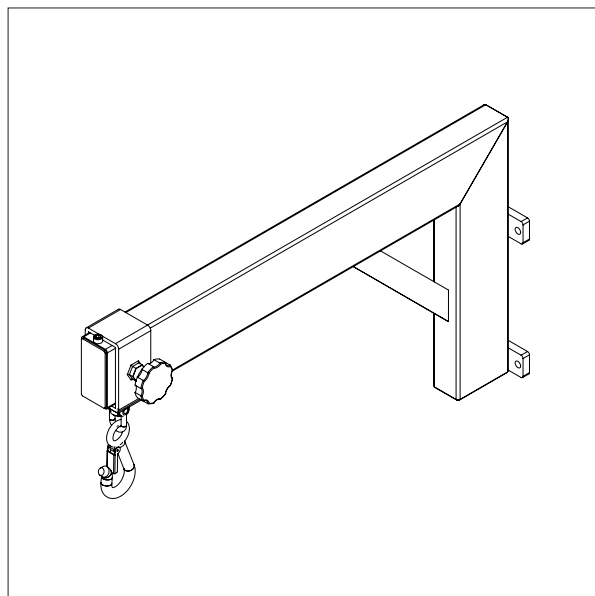
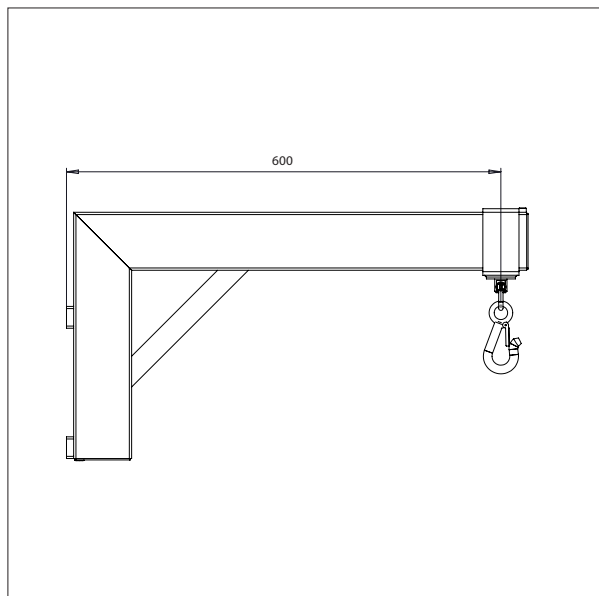
# WP 200 / TOOLS

## JIB ARM WITH LIFTING HOOK

- All measurements in mm

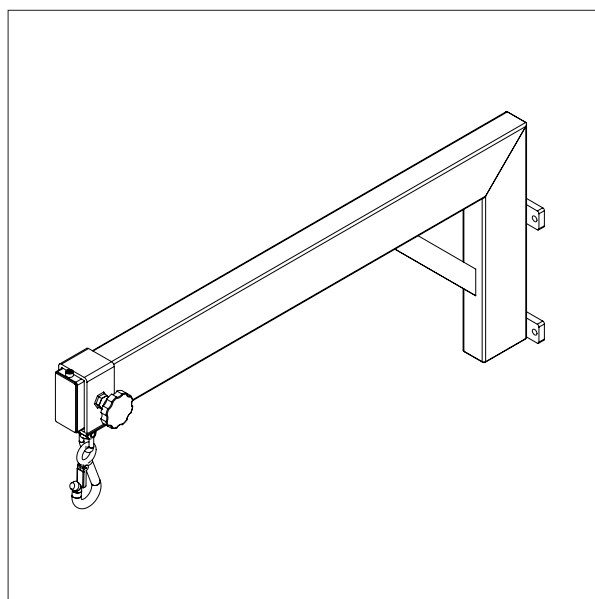
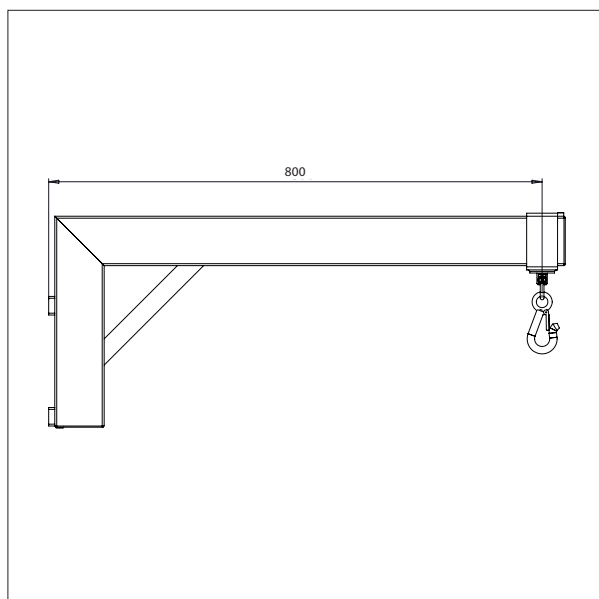
### JIB ARM WITH LIFTING HOOK - 87619

Length: 600



### JIB ARM WITH LIFTING HOOK - 87625

Length: 800



#### EdmoLift AB

Jägaregatan 11, SE-871 42 Härnösand, Sweden, Tel +46 (0)611-837 80  
Fax +46 (0)611-51 15 80, E-mail: b2b@edmolift.se

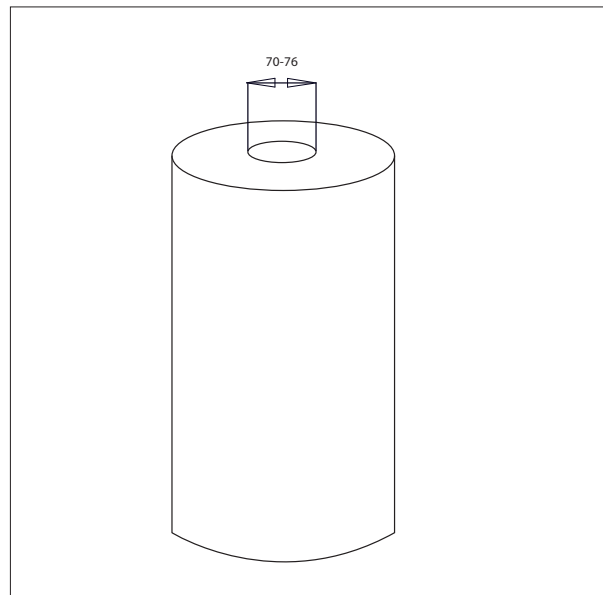
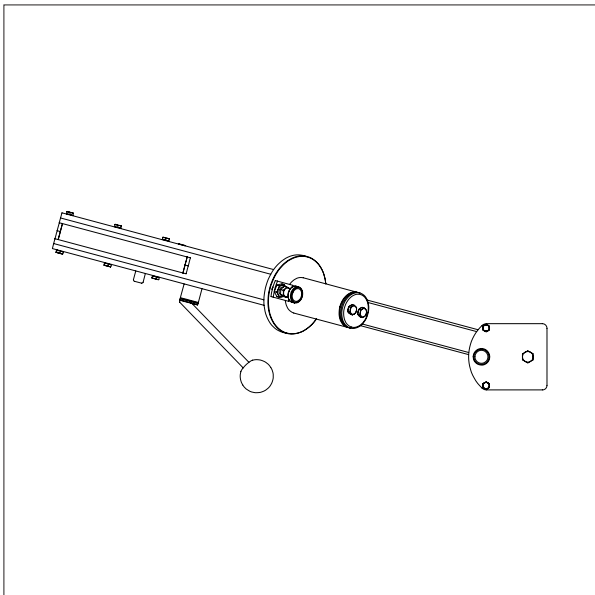
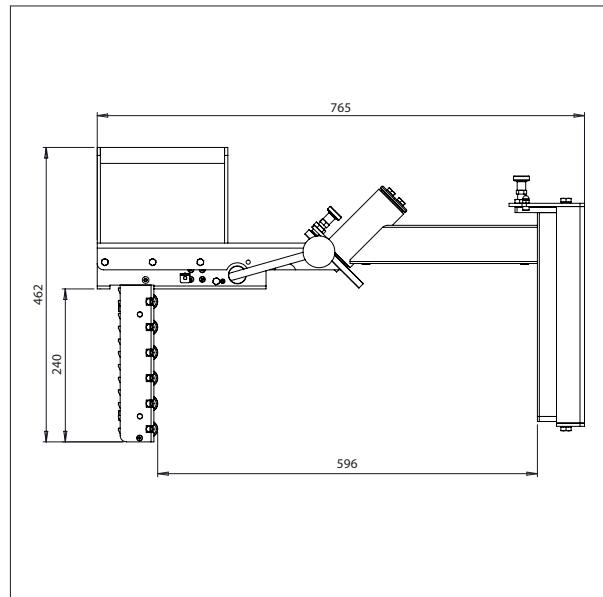
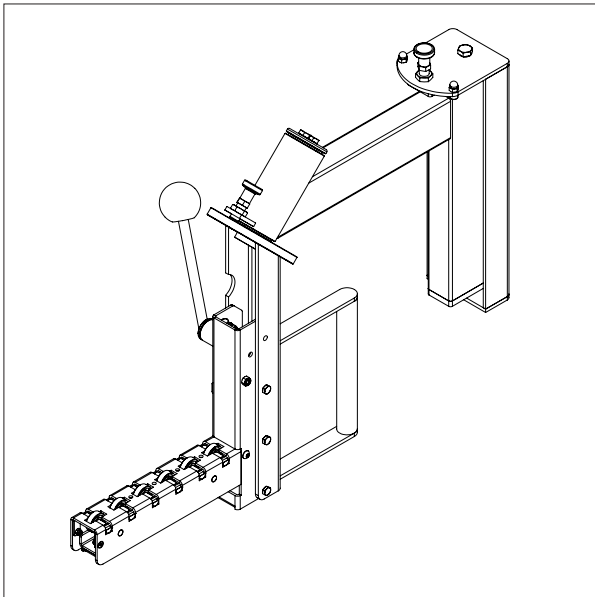
# WP 200 / TOOLS

## REEL ROTATOR

- All measurements in mm

### REEL ROTATOR - 87618

Swing  $\pm 15^\circ$



#### EdmoLift AB

Jägaregatan 11, SE-871 42 Härnösand, Sweden, Tel +46 (0)611-837 80  
Fax +46 (0)611-51 15 80, E-mail: b2b@edmolift.se

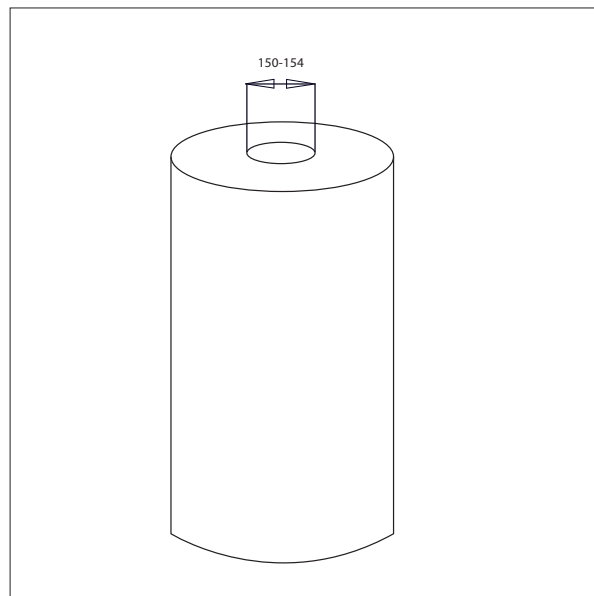
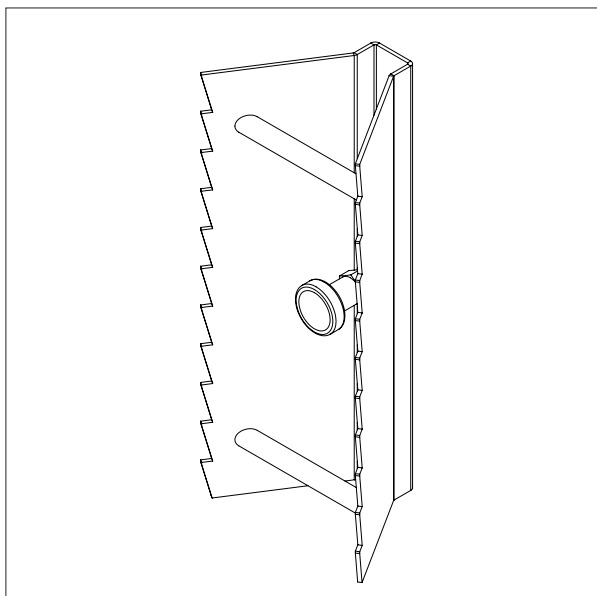
# WP 200 / TOOLS

## MANDREL ENLARGER

- All measurements in mm

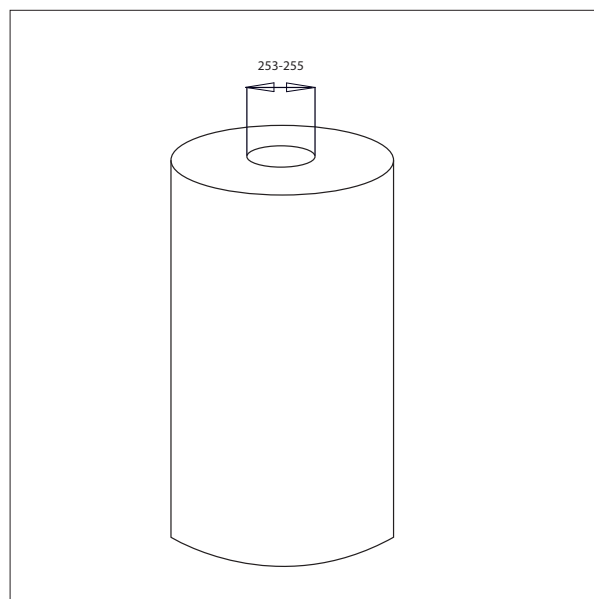
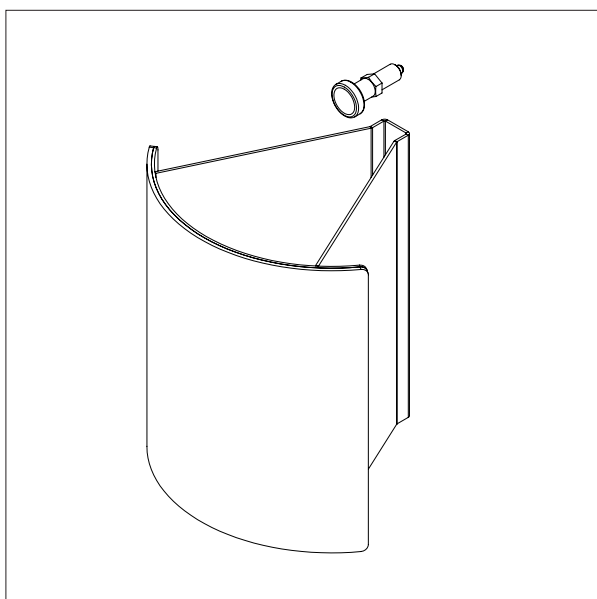
### MANDREL ENLARGER - 87627

For: Ø125 mm/6"



### MANDREL ENLARGER - 87627

For: Ø254 mm/10"



#### EdmoLift AB

Jägaregatan 11, SE-871 42 Härnösand, Sweden, Tel +46 (0)611-837 80  
Fax +46 (0)611-51 15 80, E-mail: b2b@edmolift.se

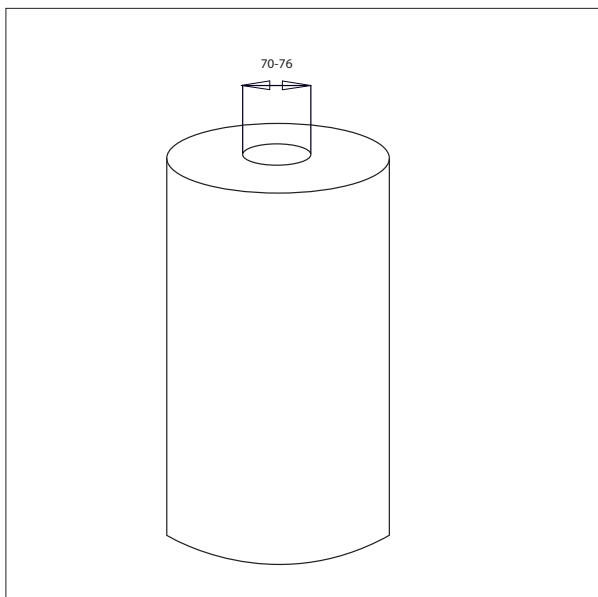
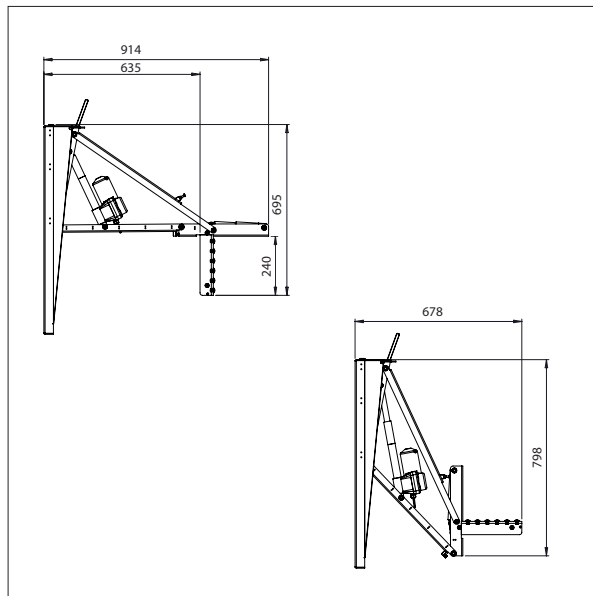
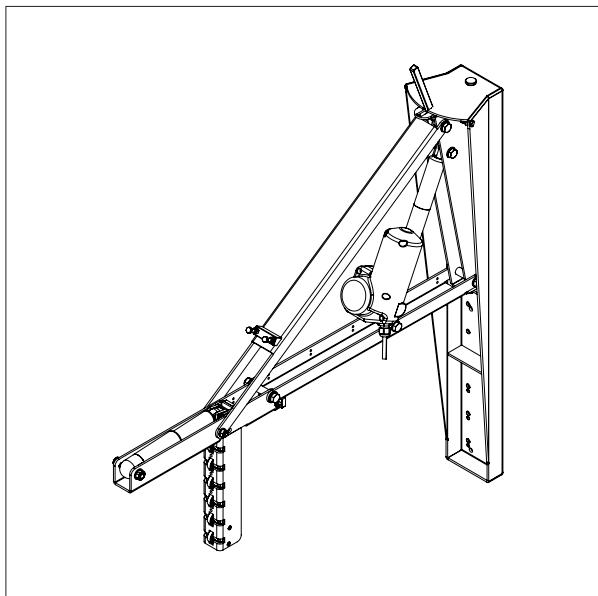
# WP 200 / ELECTRIC TOOLS

## REEL ROTATOR

- All measurements in mm

### REEL ROTATOR - 87923

Reel rotator – Full Electric reel rotator



#### EdmoLift AB

Jägaregatan 11, SE-871 42 Härnösand, Sweden, Tel +46 (0)611-837 80  
Fax +46 (0)611-51 15 80, E-mail: b2b@edmolift.se



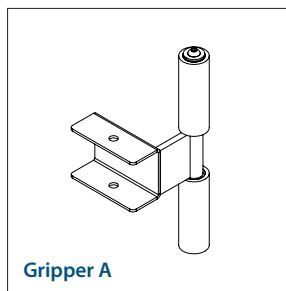
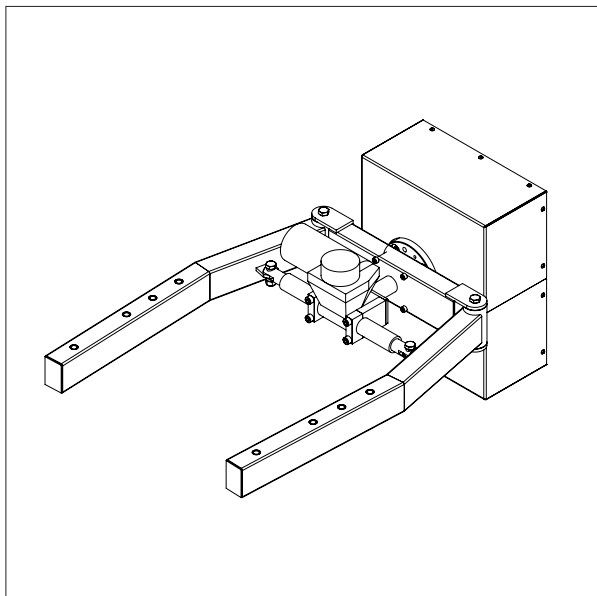
# WP 200 / ELECTRIC TOOLS

## DRUM TURNER

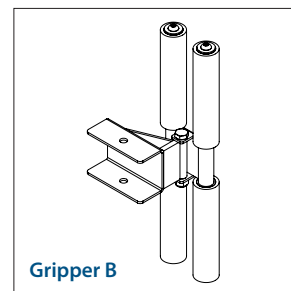
- All measurements in mm

### DRUM TURNER – 87924

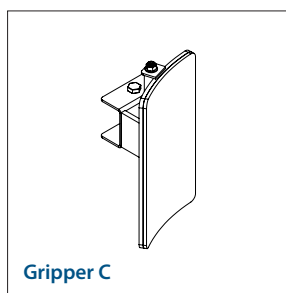
Drum turner– with motorised grip and turning function, turning sideways



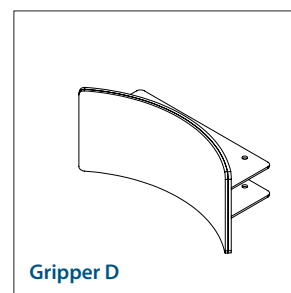
Gripper A



Gripper B



Gripper C



Gripper D

#### EdmoLift AB

Jägaregatan 11, SE-871 42 Härnösand, Sweden, Tel +46 (0)611-837 80  
Fax +46 (0)611-51 15 80, E-mail: b2b@edmolift.se

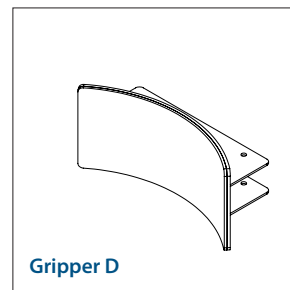
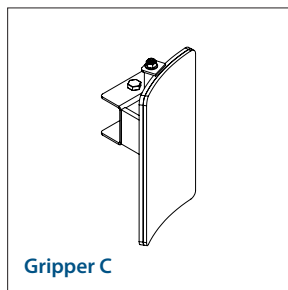
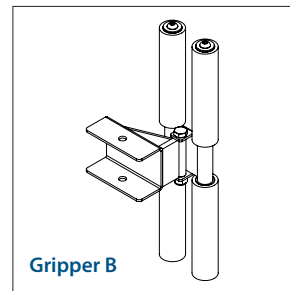
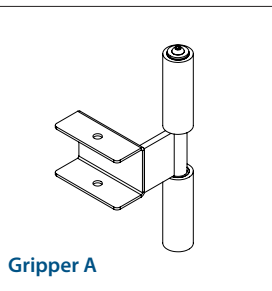
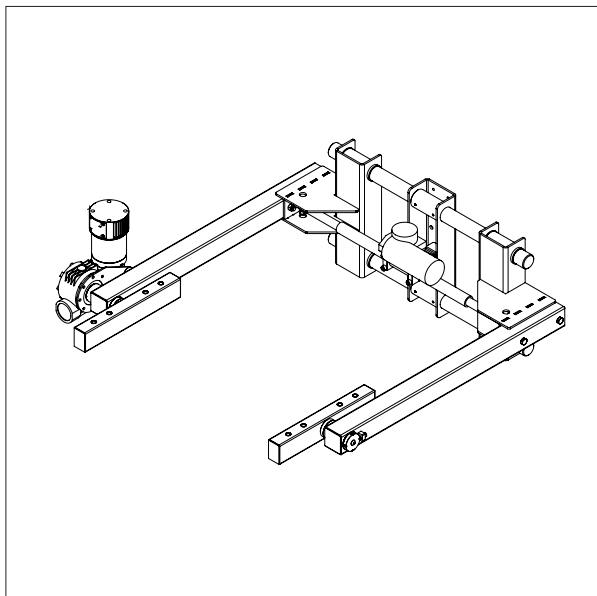
# WP 200 / ELECTRIC TOOLS

## DRUM TURNER

- All measurements in mm

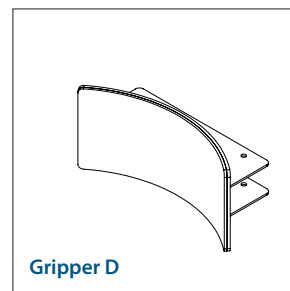
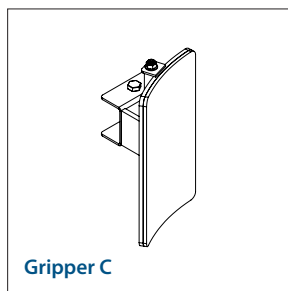
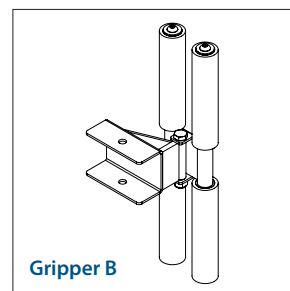
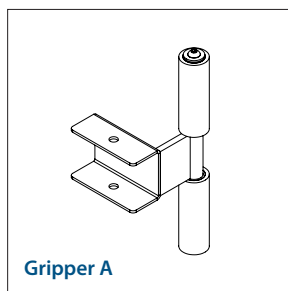
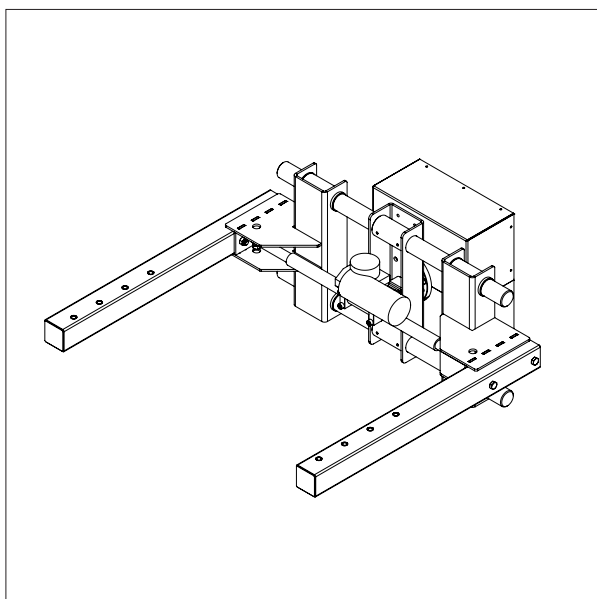
### DRUM TURNER – 87926

Drum turner – with motorised grip and tipping function, tipping forward



### DRUM TURNER – 87925

Drum turner – with motorised grip and turning function, turning sideways



#### EdmoLift AB

Jägaregatan 11, SE-871 42 Härnösand, Sweden, Tel +46 (0)611-837 80  
Fax +46 (0)611-51 15 80, E-mail: b2b@edmolift.se