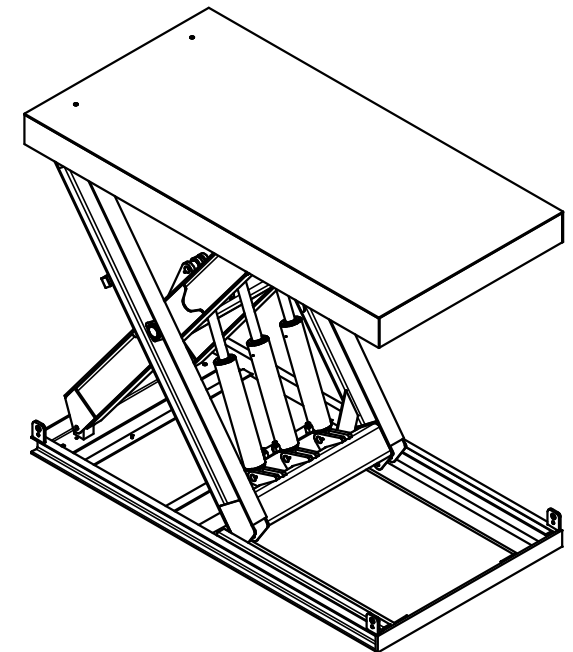
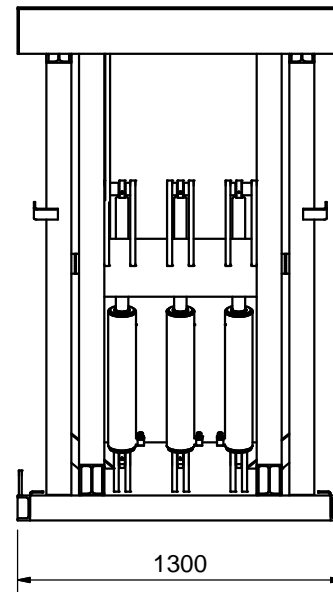
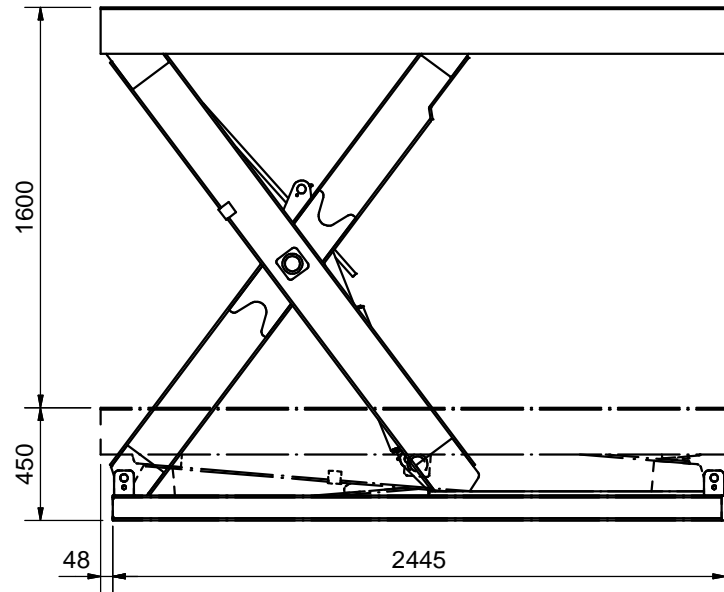



This document must not be copied without our written permission, and the contents thereof must not be imparted to a third party nor be used for any unauthorized purpose. Contravention will be prosecuted.



Lyftbord Sammanställning TT 6000		Drawn <b>HANVI</b>	Date 2016-01-14
		Scale 1 : 20	Est. weight N/A
		Document kind Konstruktionsritning	
	General tolerances for dimensions without indication according to ISO 2768-m	System <b>Inventor</b> Sheet size A3	Drawing no <b>33460</b>
			Revision -