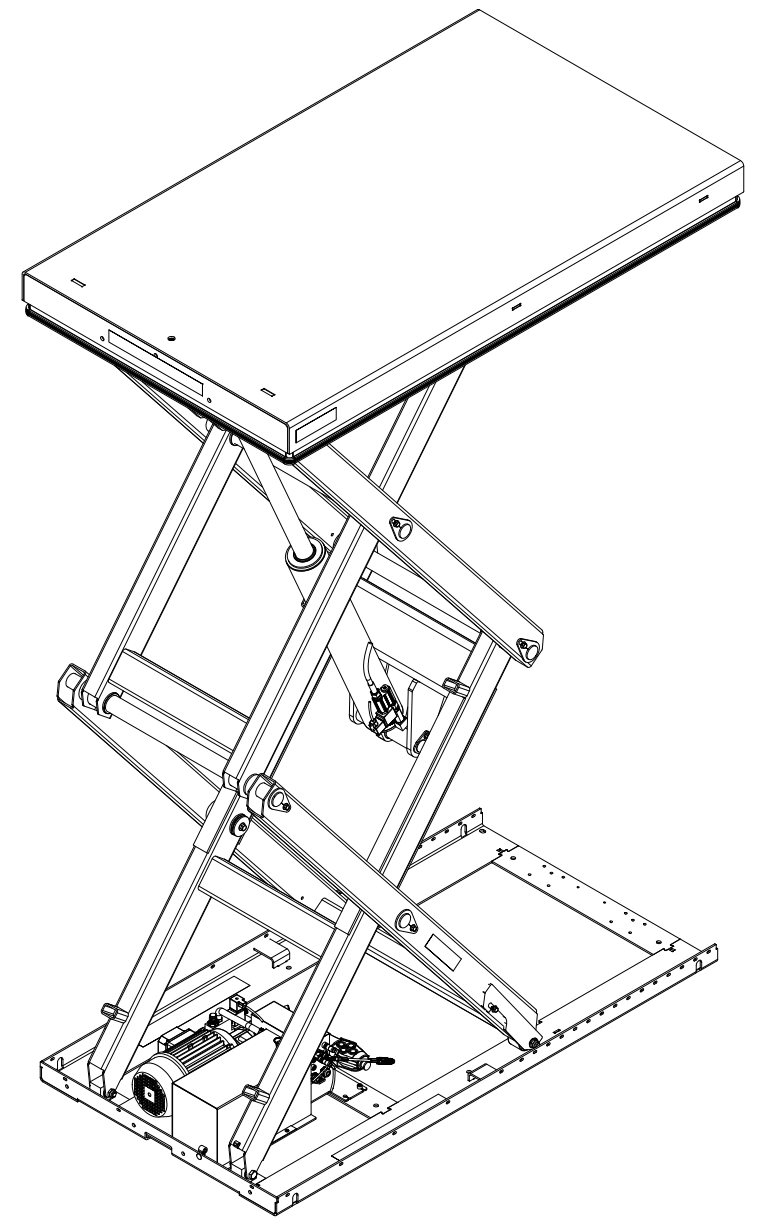
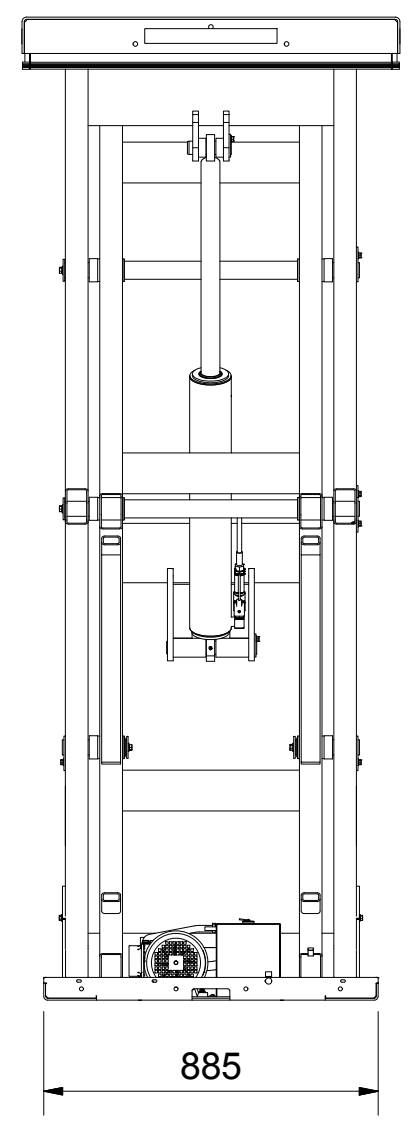
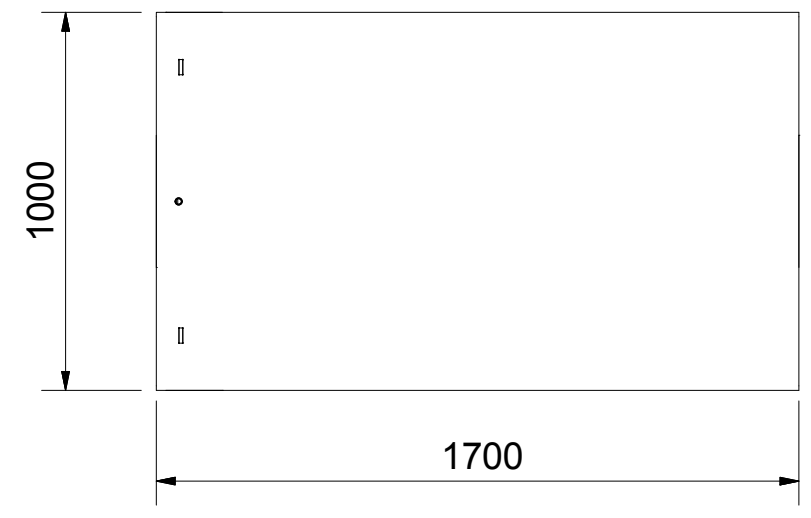
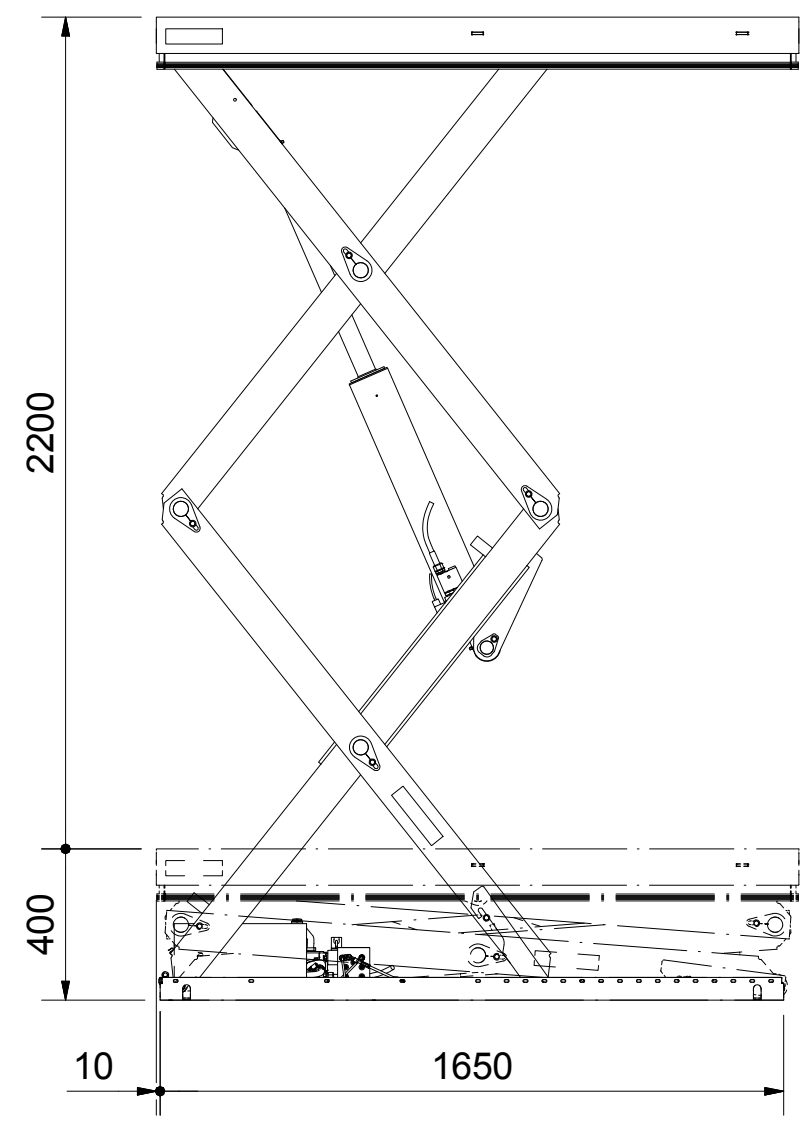



This document must not be copied without our written permission, and the contents thereof must not be imparted to a third party nor be used for any unauthorized purpose. Contravention will be prosecuted.



TMD 1500 (1700x1000)		Drawn	JOHSO	Date	2017-12-12
		Scale	1 : 20	Est. weight	330,2 kg
		Sheet Number	1 / 1		
 General tolerances for dimensions without indication according to ISO 2768-m	System	Inventor		Drawing no	22013
	Sheet size	A3		Revision	