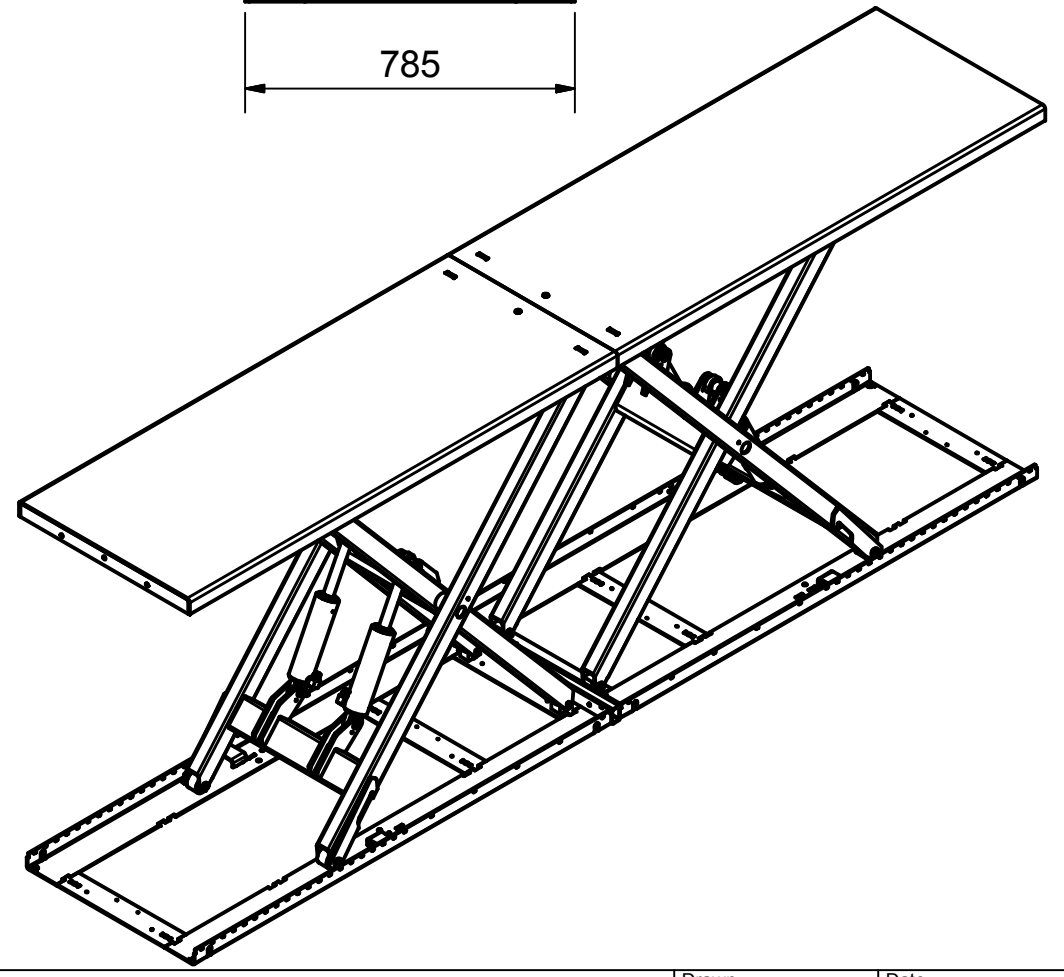
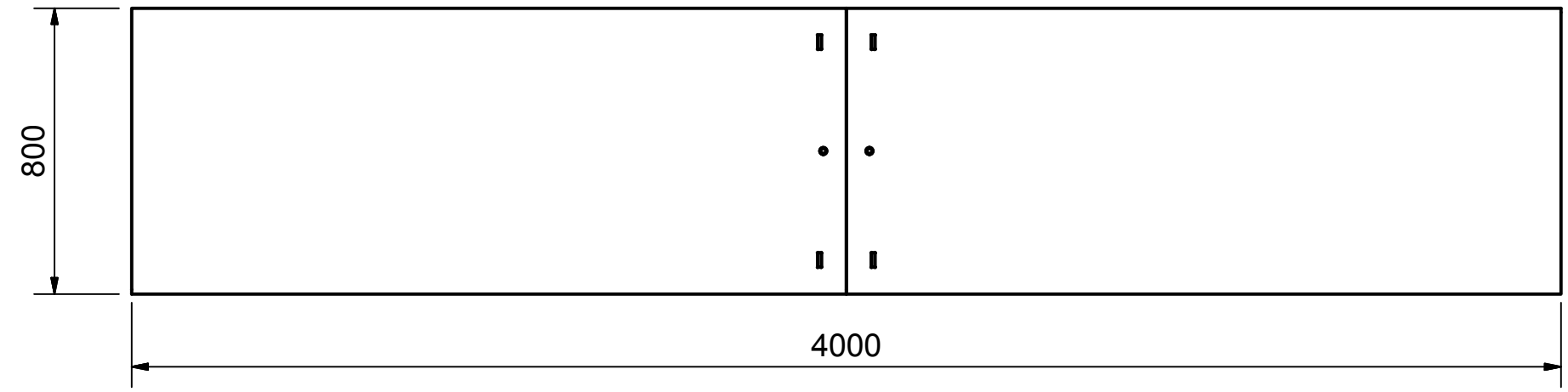
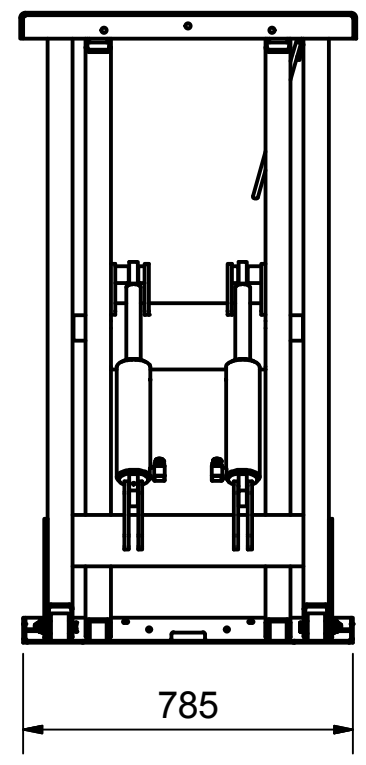
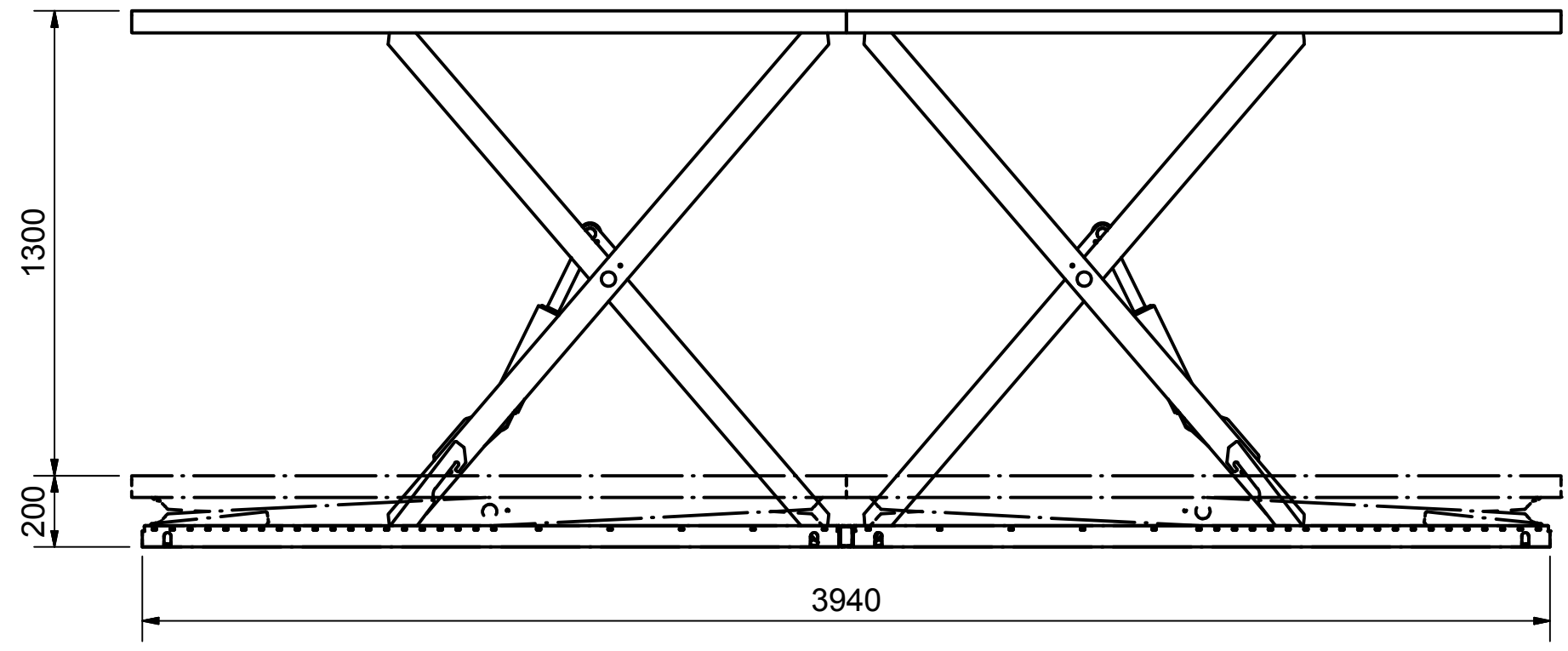



This document must not be copied without our written permission, and the contents thereof must not be imparted to a third party nor be used for any unauthorized purpose. Contravention will be prosecuted.



Lift Table Assembly TAH 2000	Drawn HANVI	Date 2016-10-18
	Scale 1:18	Est. weight 480,8 kg
	Sheet Number 1 / 1	
	General tolerances for dimensions without indication according to ISO 2768-m	System Inventor Sheet size A3
Drawing no 33885		Revision -